

All power-up™ handles have a 1 year warranty for the original purchaser. Assistive Resources will repair or replace any defective parts or handles provided the handle has been used consistent with its intended purpose.

The arm support comes with 2 arm support straps and an elbow support strap. The support has three Velcro® pads on the reverse side. Once the forearm is at the desired height: Secure the arm by attaching the 2" x 8" straps across the forearm and attaching them to the outer 3/4' Velcro® pads.

The elbow support can be used by attaching the single strap from the rear bottom of the arm rest, allowing for support of the elbow with the "cup" portion, and then crisscrossing the remaining two straps over the arm and attaching them in the back of the pad to the center strip of Velcro®.

### Troubleshooting

After set up and sometimes after use, re-tightening of the joints may be necessary.

If the grip handle wobbles, be sure the knuckle is securely tightened to the telescoping shaft and /or the 3" extension. Then make sure the knuckle set screw is properly tightened.

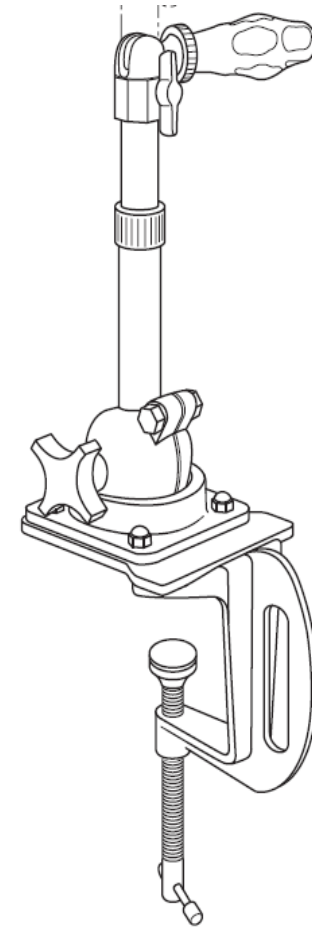
If the vertical shaft wobbles, be sure the base set screw is well tightened and the telescoping shaft screw is tightened. If you are using an arm support, the set screws of the shaft collars must be secure.

Assistive Resources  
19340 Edmonton Drive  
Brookfield, WI 53045  
phone: 262-439-8253  
Fax: 262-439-8254

[assistive-resources.com](http://assistive-resources.com)



## Assembly Instructions



**Thank you for purchasing the power-up® core stabilizing handle.**

Your handle is shipped in two parts: the base and clamp and the telescoping shaft. A 3" extension and 2 extra sizes of handles are included in the shipping box.

If you have ordered the handle with the arm rest you will also receive the two arm support straps and an elbow support strap. Two allen wrenches are included for adjusting the shaft collars and the stabilizing rods on the arm support.

**To Assemble:**

The base is already attached to the table clamp.

1. Loosen the set screw in the base by turning counter clockwise.
2. Insert the larger end of the telescoping shaft into the base opening.
3. Tighten the base set screw to stabilize the shaft. Be sure handle is perpendicular to the base surface.

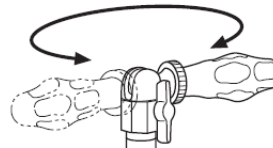
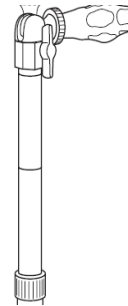


The telescoping base shaft can be adjusted by :

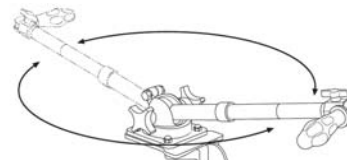
1. Loosening the sleeve in the middle of the shaft counter clockwise.
2. Extend or shorten to desired length, and retighten the sleeve clockwise.
3. Be sure to retighten the sleeve an extra turn to prevent slippage.

To add the 3" extension:

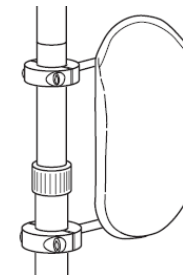
1. Remove the top knuckle device by turning it counter clockwise.
2. Screw the extension onto the shaft, **tighten well** and then reattach the knuckle. Turn it clockwise onto the extension.
3. **Be sure all the joints are tightened well.**



To adjust the top handle loosen the upper knuckle joint and turn the set screw counter clockwise. Retighten the set screw after adjusting to the desired position.

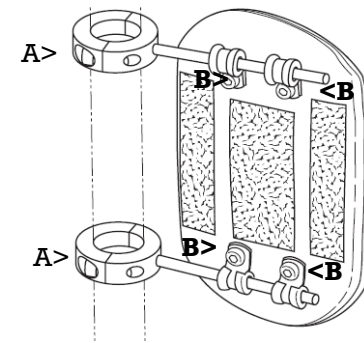


The vertical shaft can also be adjusted to fit the individual client's needs by loosening the ball joint screw and adjusting the handle angle and rotation and then retightening. Be sure to tighten the ball screw adequately.



**If you ordered the power-up® handle with the arm rest, the unit will come already attached for a right handed person. To adjust the height of the arm rest:**

1. Use the 3/16" allen wrench to loosen both of the collar sleeve screws (A).
- 2 Slide unit up or down the vertical shaft as needed to align the forearm with the handle. Retighten the collar set screws with the allen wrench.



*If you should need to "flip" the arm rest to the other side of the vertical shaft, you will need to loosen the four allen screws (B) on the backside of the arm rest pad and remove it from the horizontal support rods. Rotate the support rods to the other side and reattach the arm rest by inserting the rods through the loops and retightening the allen screws.*

If the grip handle wobbles, be sure the knuckle is securely tightened to the telescoping shaft and /or the extension. Make sure the knuckle set screw is tightened well